

SPECIFICATIONS

Exterior Dimensions
Width: 32"
Height: 74"
Depth: 31"

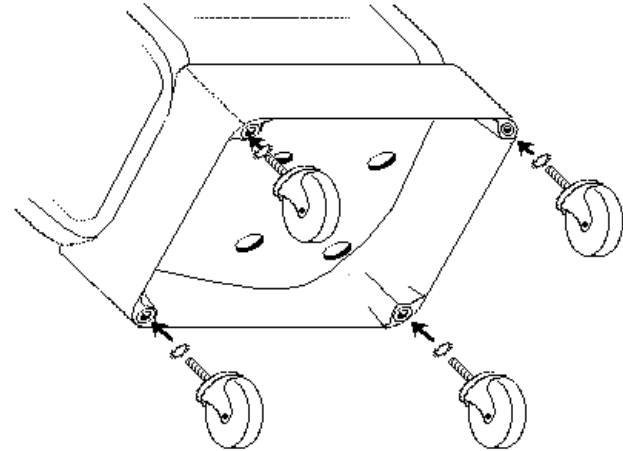
Interior Dimensions
Width: 28"
Height: 65"
Depth: 26"

Weight Capacity
300 Lbs.

***Do NOT use for chemical storage.**

STEP 1. WHEEL ASSEMBLY

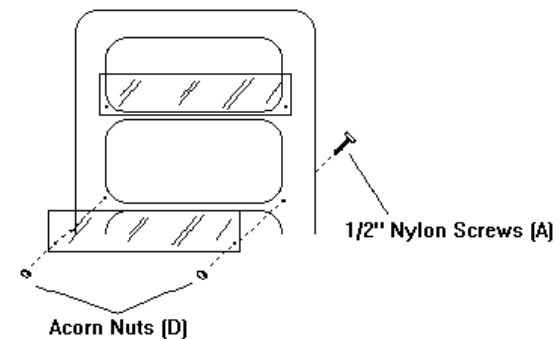
Carefully place your Deck Stor-A-Way[®] on its side on a non-abrasive floor. Then, in a clockwise motion, screw in a caster with a lock washer in each one of the four corners. Tighten completely.



STEP 2. ASSEMBLE CLEAR POCKETS

Fasten the clear plastic door pockets to the inside of the door using 2 "A" Nylon Screws and 2 "D" Nylon Acorn Nuts on each with the nuts on the inside.

Tighten all 8 using caution. Nylon hardware may strip if too much force is used.



CLEANING & MAINTENANCE

General

Use a mild soap solution or water when cleaning the surfaces of the Deck Stor-A-Way®. Do not use any harsh abrasive cleaning pads or detergents when cleaning the exterior or interior surfaces or serious damage may occur.

Casters

The casters are equipped with closed bearings, which protect them from dirt and debris. No maintenance to the caster's wheel bearing is required or recommended. The threaded stems may loosen with use. Periodically check the stems to insure that they are adequately tightened in their sockets.

Lock Assembly

The lock assembly is die cast zinc plated fully contained assembly requiring no maintenance. If moisture develops inside the keyhole and freezing occurs, use a general-purpose lock de-icer or carbon de-icer available at most hardware stores.

Hardware

Both stainless steel and nylon hardware is used in the assembly of your Deck Stor-A-Way®. You may need to periodically re-tighten the hardware if it becomes loose. Exercise caution when re-tightening, particularly the nylon hardware. Over tightening could cause the threads to strip or may even cause the bolts to break.

Exposure

Avoid prolonged direct sunlight exposure and pool chemicals whenever possible. The Deck Stor-A-Way® is shielded by a U.V. stabilizing that protects the plastic from damaging U.V. rays and other environmental deteriorates. Whenever possible, store this product in a shaded area away from pool chemicals and/ or the sun.

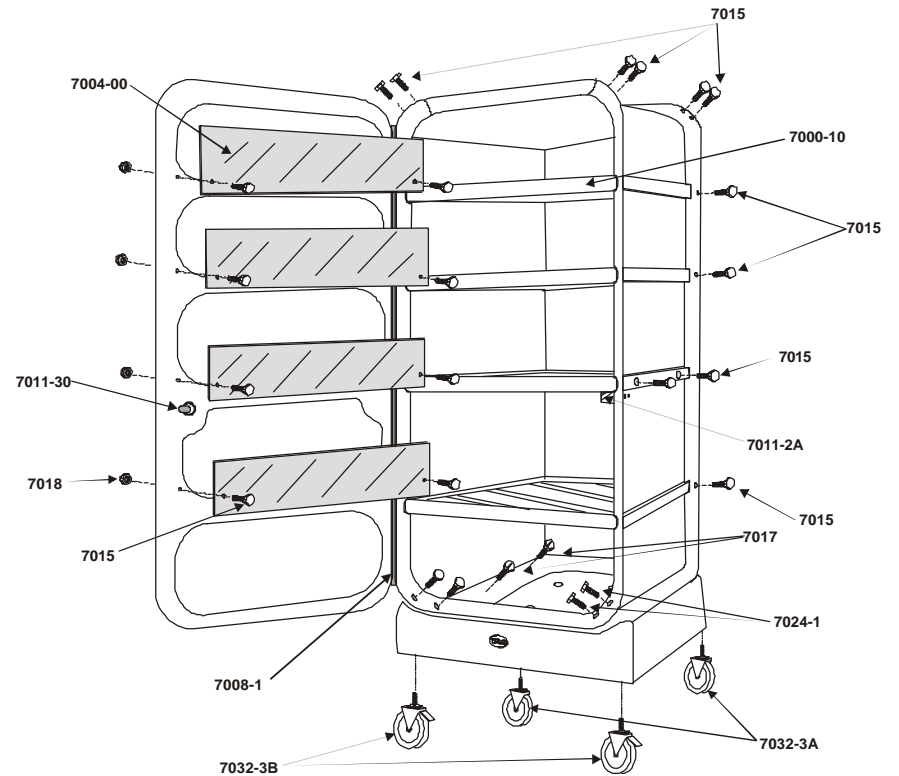
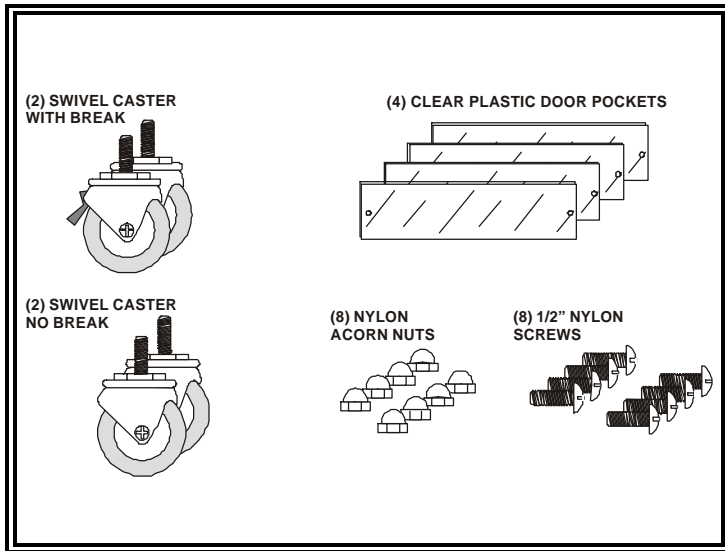
SAFETY PRECAUTIONS

1. Always make sure that the unit is on level ground and the wheels are in "LOCKED" position when stationary.
2. Avoid rolling the unit over cords, hoses, holes or large thresholds or damage to the casters or even tipping may occur. If necessary, have two people move the unit.
3. Do not roll the unit up steep inclines or down steep declines without additional help. The unit is "free rolling" when the casters are not locked and could tip resulting in serious injury.
4. Do not allow children to play with, on or around the unit at any time.
5. Do not store flammables, combustibles or any other chemicals in the unit at any time.
6. Avoid storing the unit near heating devices.
7. Do not install electrical devices in or on the unit.
8. Insure that the interior removable shelves are completely slid inside before closing the door.
9. Do not over load the interior shelves or clear plastic door pockets.
10. Periodically inspect the unit's hardware (screws, nuts, bolts, etc.) for tightness. Replacement parts can be ordered directly from Triad at 1-800-729-7514.
11. Periodically inspect the condition of the casters and make sure that they are completely fastened to the unit's base.

ASSEMBLY INSTRUCTIONS

Important:

Before beginning, unpack the carton and check the contents against the following parts list. Please refer to the diagram to become familiar with the parts.



Tools Needed:

You will need an adjustable wrench and a flat-headed screwdriver to complete assembly.

If any parts are missing or if you experience any trouble, call our toll-free customer assistance hot line at

1-800-729-7514

PART No.	ITEM
7004-00	CLEAR DOOR POCKET - 4ea.
7011-30	T-HANDLE LATCH ASSEMBLY
7032-3B	SWIVEL CASTER W/ BREAK - 2ea.
7032-3A	SWIVEL CASTER NO BREAK - 2ea.
7011-2A	DOOR CATCH - 1ea.
7000-10	SLIDE-OUT REMOVABLE SHELF - 3ea. (1ea. Stationary)
7008-1	DOOR HINGE - 1ea.
7015	1/2" NYLON HEX BOLT
7018	NYLON ACORN NUT
7017	7/8" NYLON HEX BOLT (uses 7019)
7019	NYLON WASHER NUT (not shown)
7024-1	SS BASE SCEW (uses 7023 ss nut)

WARRANTY

Every Triad product is inspected and fit tested before leaving the factory. It is warranted to be free of defects in workmanship and materials for a period of **ONE YEAR** from the date of original purchase. Damage caused by abuse or neglect is not covered.

Return Policy: In the event of a return, a "return authorization number" must be obtained from Triad's customer service department prior to shipment. Since most products are custom made, there may be a re-stocking charge (not to exceed 15% of the purchase price).

Should any trouble develop, contact Triad Technologies, Incorporated at **1-800-729-7514** Monday-Friday 8:00am-5:00pm Eastern Standard Time or write to us at:

TRIAD TECHNOLOGIES, INC.
ATTN: WARRANTY RETURNS
105 Spencer Street
Syracuse, New York 13204-1333

HOW TO CONTACT US

For replacement parts, ordering and product information, you can reach us Monday-Friday 8:00am-4:30pm Eastern Time.

Phone: **(800) 729-7514 or 1-315-422-7607**

Fax: **1-315-422-7629**

E-mail: **info@triadtec.com**

Web site: **http://www.triadtec.com**

DECK STOR-A-WAY®

OWNER'S MANUAL AND ASSEMBLY INSTRUCTIONS



Model No. **DSA7000-1T**

TRIAD TECHNOLOGIES, INCORPORATED
105 Spencer Street, Syracuse, New York 13204-1333 U.S.A.