

EASY LADDER®

Owner's Manual and Assembly Instructions



Model No.: LAD0010-5

Model No.: LAD0010-6

Model No.: LAD0010-7



IMPORTANT ! PLEASE READ CAREFULLY BEFORE CONTNUING

These instructions contain information about the product you have purchased as well as important safety information and should be kept on file. **DO NOT DISCARD THIS MANUAL.** **SAVE ALL PACKAGING** in case a return is necessary.

UNPACKING

Carefully unpack the contents of the shipping carton(s) making sure the side marked "BOTTOM" is facing down.

Unpack on a flat surface and make sure you have plenty of room.

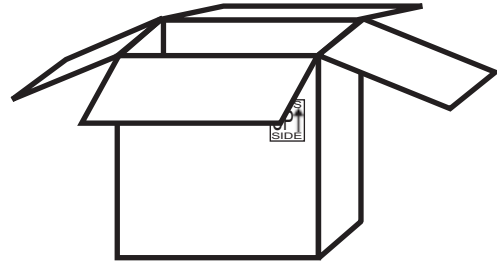
Do not use a box knife or other sharp cutting tool or you may damage the product.



DO NOT USE A KNIFE

CHECK CONTENTS

Check the contents of the shipping carton(s). Pay careful attention to any possible damage to the outside of the carton(s) caused in transit. If you notice any damage, check the contents inside and **notify our customer service department immediately at 1-800-729-7514!**



CHECK FOR DAMAGE

IF YOU NEED ASSISTANCE

If you encounter any problems, please call us at 1-800-729-7514 Monday-Friday 8:00am-5:00pm Eastern Time, or visit our web site at www.com.com.



(800)729-7514

www.com.com

THANK YOU!

From all of us at Triad, thank you for your purchase. We appreciate your business!

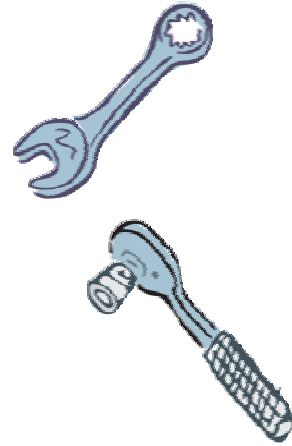


TOOLS NEEDED

You will need the following tools to assemble this product:

- ▶ **1/2" OPEN ENDED BOX WRENCH**

- ▶ **1/2" SOCKET WRENCH**



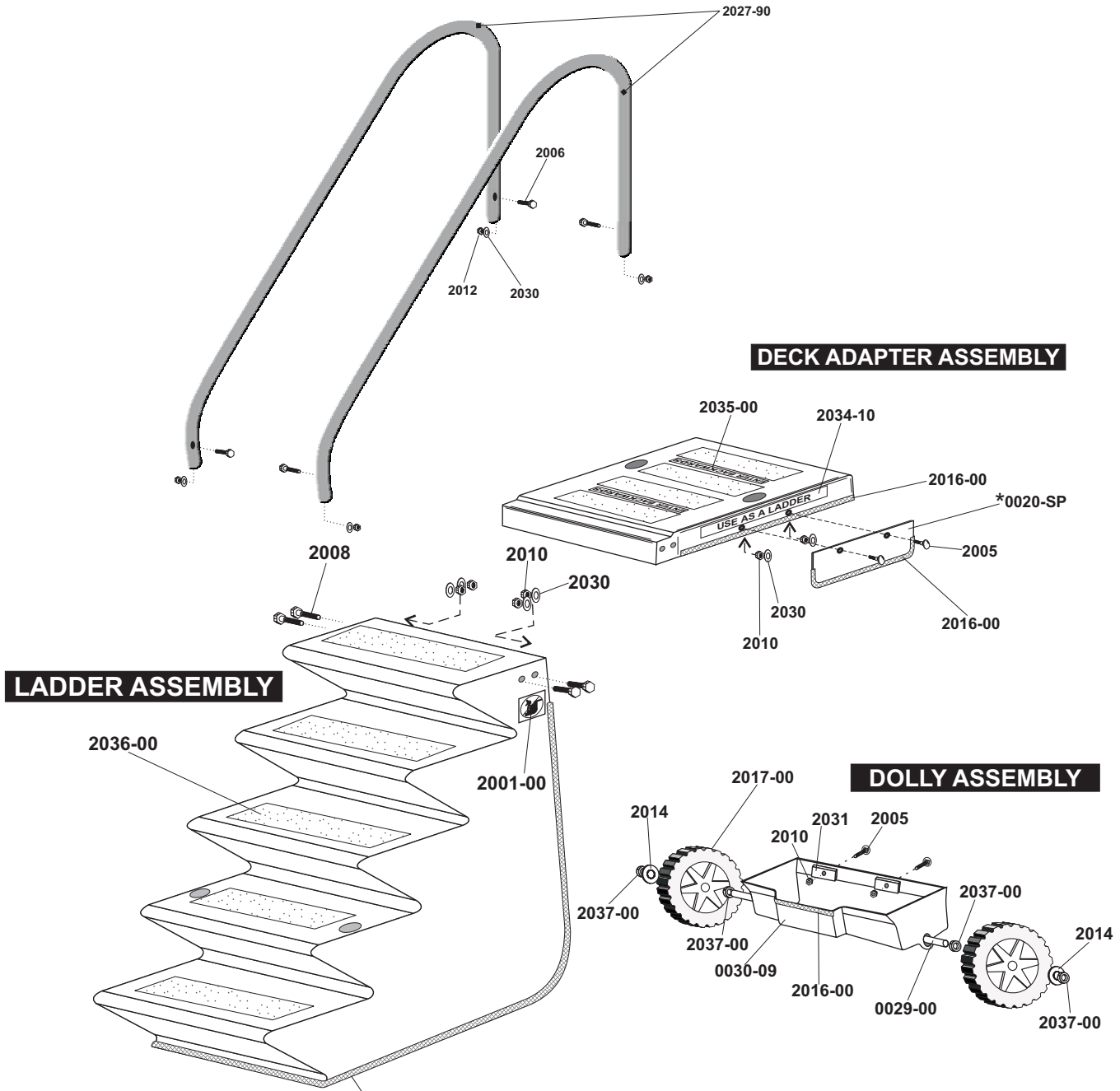
If you do not have a ratchet-type wrench & socket, you can use a second 1/2" box wrench or a crescent wrench.
DO NOT USE PLIERS or you may cause damage to the hardware.

TABLE OF CONTENTS

UNPACKING	1
IF YOU NEED ASSISTANCE	1
TOOLS REQUIRED	2
5-STEP EASY LADDER BLOW-APART	3
6-STEP EASY LADDER BLOW-APART	4
ASSEMBLY INSTRUCTIONS	5-6
INSTALLATION INSTRUCTIONS	7
USAGE INSTRUCTIONS	8-9
CARE & MAINTENANCE	10
WARRANTY INFORMATION	11

5-STEP EASY LADDER® (*with optional Deck Adaptor Skirts)

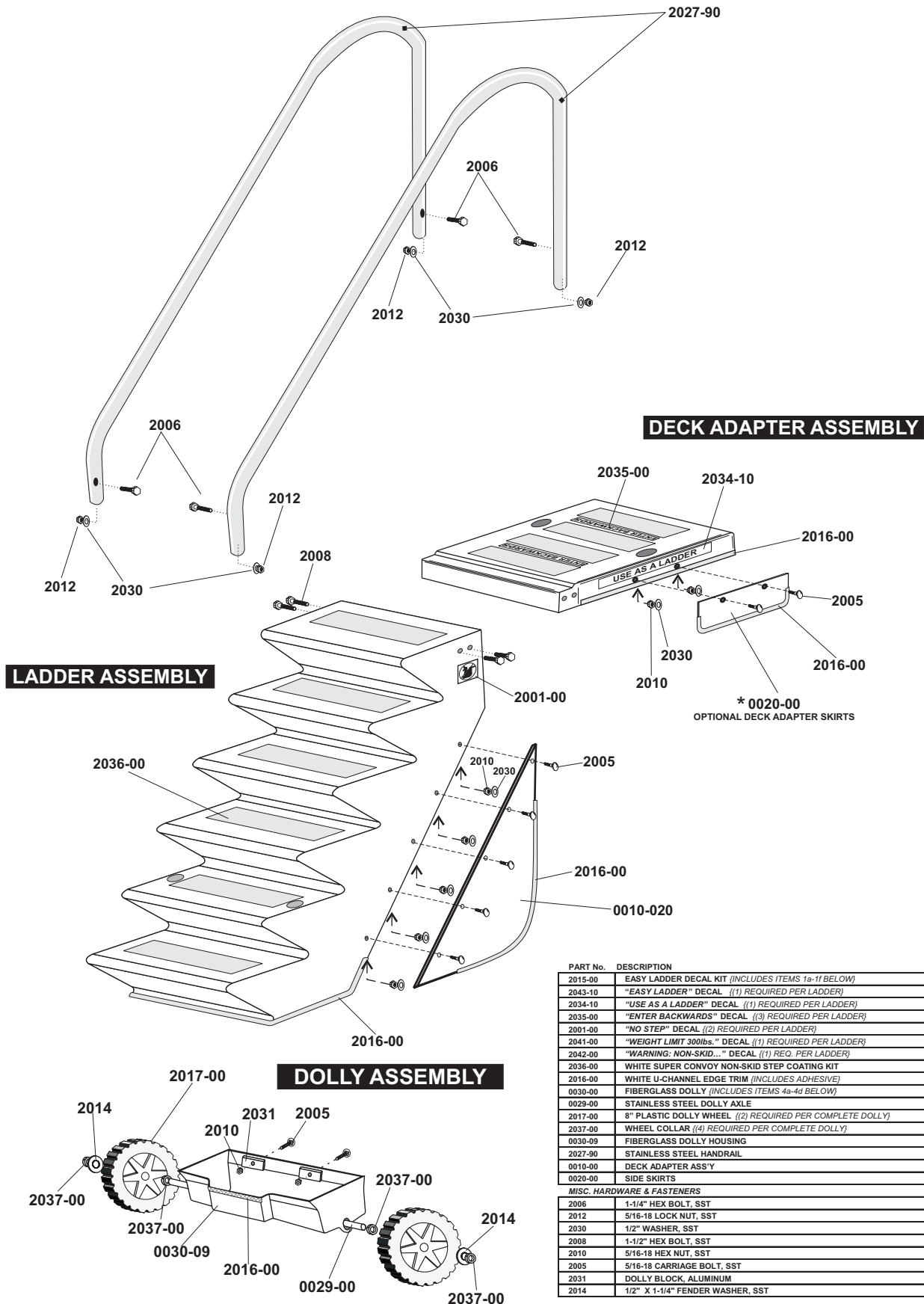
Model No. 0010-5



PART No.	DESCRIPTION
2015-00	EASY LADDER DECAL KIT (INCLUDES ITEMS 1a-1f BELOW)
2043-10	"EASY LADDER" DECAL ((1) REQUIRED PER LADDER)
2034-10	"USE AS A LADDER" DECAL ((1) REQUIRED PER LADDER)
2035-00	"ENTER BACKWARDS" DECAL ((3) REQUIRED PER LADDER)
2001-00	"NO STEP" DECAL ((2) REQUIRED PER LADDER)
2041-00	"WEIGHT LIMIT 300lbs." DECAL ((1) REQUIRED PER LADDER)
2042-00	"WARNING: NON-SKID..." DECAL ((1) REQ. PER LADDER)
2036-00	WHITE SUPER CONVOY NON-SKID STEP COATING KIT
2016-00	WHITE U-CHANNEL EDGE TRIM (INCLUDES ADHESIVE)
0030-00	FIBERGLASS DOLLY (INCLUDES ITEMS 4a-4d BELOW)
0029-00	STAINLESS STEEL DOLLY AXLE
2017-00	8" PLASTIC DOLLY WHEEL ((2) REQUIRED PER COMPLETE DOLLY)
2037-00	WHEEL COLLAR ((4) REQUIRED PER COMPLETE DOLLY)
0030-09	FIBERGLASS DOLLY HOUSING
2027-90	STAINLESS STEEL HANDRAIL
0010-00	DECK ADAPTER ASS'Y
0020-00	SIDE SKIRTS
MISC. HARDWARE & FASTENERS	
2006	1-1/4" HEX BOLT, SST
2012	5/16-18 LOCK NUT, SST
2030	1/2" WASHER, SST
2008	1-1/2" HEX BOLT, SST
2010	5/16-18 HEX NUT, SST
2005	5/16-18 CARRIAGE BOLT, SST
2031	DOLLY BLOCK, ALUMINUM
2014	1/2" X 1-1/4" FENDER WASHER, SST

6-STEP EASY LADDER® (*with optional Deck Adaptor Skirts)

MODEL No. 0010-6 (SAME FOR 7-STEP #0010-7)



PART No.	DESCRIPTION
2015-00	EASY LADDER DECAL KIT (INCLUDES ITEMS 1a-1f BELOW)
2043-10	"EASY LADDER" DECAL (1) REQUIRED PER LADDER
2034-10	"USE AS A LADDER" DECAL (1) REQUIRED PER LADDER
2035-00	"ENTER BACKWARDS" DECAL (3) REQUIRED PER LADDER
2001-00	"NO STEP" DECAL (2) REQUIRED PER LADDER
2041-00	"WEIGHT LIMIT 300lbs." DECAL (1) REQUIRED PER LADDER
2042-00	"WARNING: NON-SKID..." DECAL (1) REQ. PER LADDER
2036-00	WHITE SUPER CONVOY NON-SKID STEP COATING KIT
2016-00	WHITE U-CHANNEL EDGE TRIM (INCLUDES ADHESIVE)
0030-00	FIBERGLASS DOLLY (INCLUDES ITEMS 4a-4d BELOW)
0029-00	STAINLESS STEEL DOLLY AXLE
2017-00	8" PLASTIC DOLLY WHEEL (2) REQUIRED PER COMPLETE DOLLY
2037-00	WHEEL COLLAR (4) REQUIRED PER COMPLETE DOLLY
0030-09	FIBERGLASS DOLLY HOUSING
2027-90	STAINLESS STEEL HANDRAIL
0010-00	DECK ADAPTER ASS'Y
0020-00	SIDE SKIRTS
MISC. HARDWARE & FASTENERS	
2006	1-1/4" HEX BOLT, SST
2012	5/16-18 LOCK NUT, SST
2030	1/2" WASHER, SST
2008	1-1/2" HEX BOLT, SST
2010	5/16-18 HEX NUT, SST
2005	5/16-18 CARRIAGE BOLT, SST
2031	DOLLY BLOCK, ALUMINUM
2014	1/2" X 1-1/4" FENDER WASHER, SST

ASSEMBLY INSTRUCTIONS

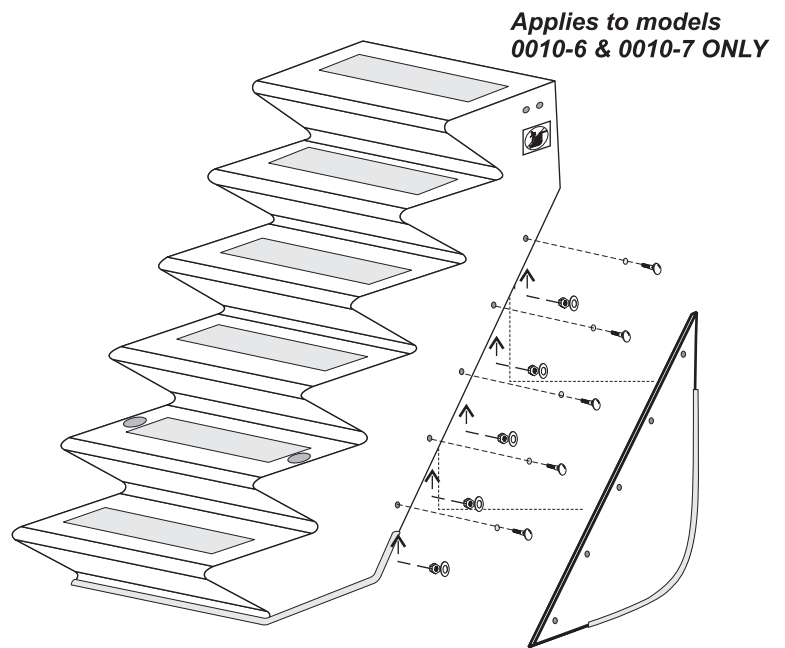
STEP 1

ASSEMBLE SIDE SKIRTS (if applicable)

This step only applies to certain models and configurations. Model's 0010-6 & 0010-7 both require the assembly of side skirts as shown in figure 1. Other models may also require the assembly of DECK ADAPTER SKIRTS as shown in figure 2.

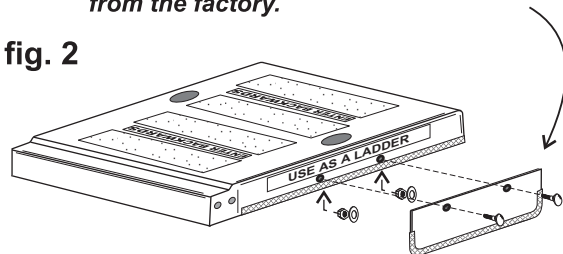
Insert the provided carriage bolts through the pre-drilled holes in the LADDER or DECK ADAPTER sections first. Then, attach the skirt panels. The skirt panels should be placed **INSIDE** with the shiny side facing out. Fasten a washer and hex nut then finger-tighten. Repeat until all bolts, washers and hex nuts have been assembled. Then, go back and completely tighten each hex nut using a 1/2" wrench. You will hear a slight cracking sound as the square recess of the carriage bolt is pulled into the fiberglass.

fig. 1



Optional DECK ADAPTER SKIRTS.
*Your unit may not require these skirts,
or it may already have them installed
from the factory.*

fig. 2



ASSEMBLY INSTRUCTIONS (Continued)

STEP 2

ASSEMBLE DECK ADAPTER

Insert the “tongue” of the DECK ADAPTER into the rear of the TOP STEP of your EASY LADDER. See figure 3.

Insert the provided hex bolts through each of the 4 holes through the LADDER section first, then through the DECK ADAPTER. Partially tighten each of the bolts with a washer and hex nut. Once all bolts, washers and nuts have been assembled, go back and completely tighten using a ½” socket wrench.

STEP 3

ASSEMBLE THE HANDRAILS

With the help of another person, carefully insert the ends of each handrail into the corresponding sockets in the LADDER and DECK ADAPTER sections as shown in figure 4.

Be sure to slide each end in evenly to avoid jamming or wedging.

Starting at the top (DECK ADAPTER socket), insert a hex bolt through the pre-drilled hole in the socket underneath, then through the pre-drilled hole in the handrail. Finger tighten a locknut from the inside of the handrail. See figure 5

Repeat this step for the other end of the handrail in the LADDER section.

Go back and completely tighten each locknut using a ½” wrench. These nuts must be completely tight at all times when in use and periodic inspection and re-tightening is recommended.

fig. 3

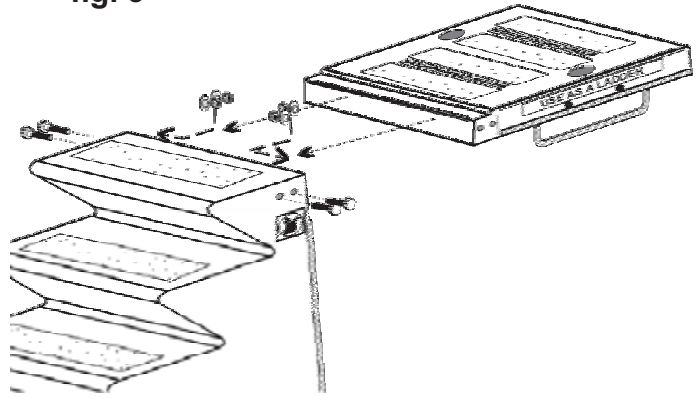


fig. 4

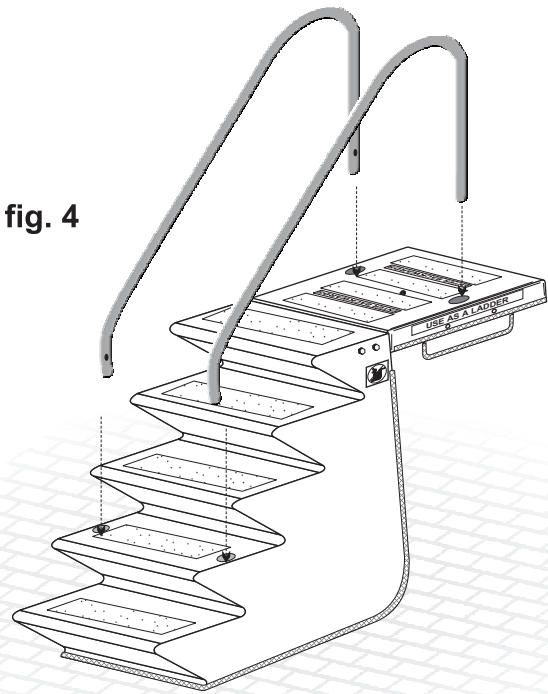
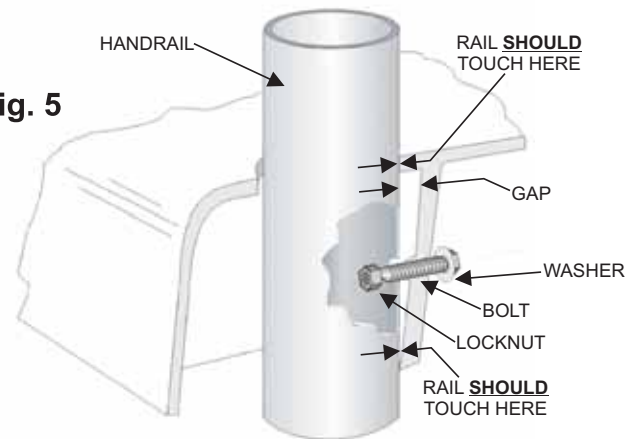


fig. 5



INSTALLATION INSTRUCTIONS

STEP 1 INSTALL THE ASSEMBLED EASY LADDER

With the assistance of another person, carefully place the assembled unit in its planned location. Use caution and lift the unit. Do not drag the unit across the deck or pool gutter. See figure 6.

STEP 2 INSPECT FOR PROPER FIT

Once the unit is in place, inspect it for firmness and a solid footing. It should not wobble or rock. If it does, try moving it slightly to the left or right. This may correct the problem if you are not sure of the exact location where the unit was measured and intended for. Check to make sure that the DECK ADAPTER lays flat on the deck, and the front corners of the bottom step touches the pool floor.

If you experience difficulty, see the “Troubleshooting” section of this manual.

MAKING SURE YOU INSTALL THE UNIT IN THE EXACT LOCATION IT WAS MEASURED FOR.

fig. 6

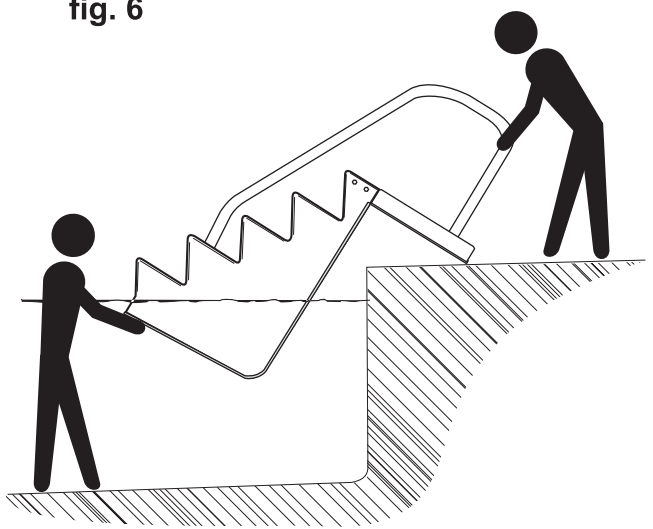
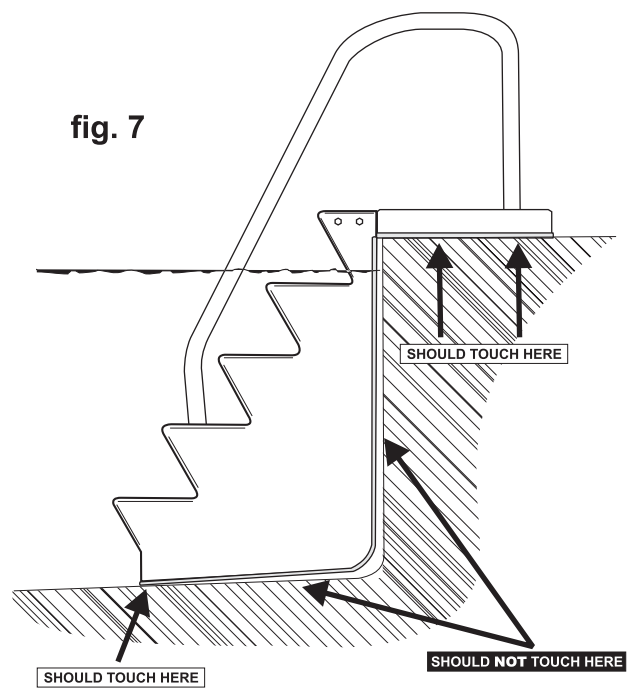


fig. 7



USAGE INSTRUCTIONS

INSTRUCT ALL USERS TO “ENTER BACKWARDS”

The EASY LADDER is designed to be used as a ladder. It is critical that all users of this product are instructed to enter and exit the pool facing the same direction- away from the pool. See figure 6.

DO NOT ALLOW USERS TO ENTER OR EXIT THE POOL FACING TOWARD THE POOL OR SERIOUS INJURY MAY OCCUR.
See figure 7.



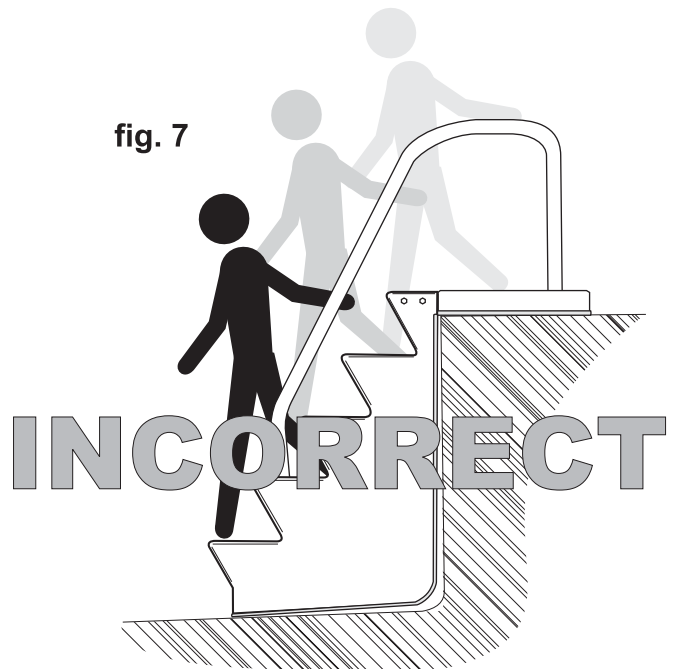
MAKE SURE YOU INSTALL THE UNIT IN THE EXACT LOCATION IT WAS MEASURED FOR.



fig. 6



fig. 7



USAGE INSTRUCTIONS

USING THE DOLLY

The EASY LADDER DOLLY is designed to make transporting to and from storage less of a strain and for installation or removal of your EASY LADDER.

To remove your EASY LADDER from the pool, tip it forward and hook the dolly under the rear edge of the DECK ADAPTER with the aluminum blocks underneath. Next, pivot the dolly upwards. It will wedge itself in and should feel firmly attached. See figure 8.

Standing at the bottom front step, slowly roll the unit out to the deck. The weight will be evenly distributed and will be easy to roll around and move. See figure 9.

To install the EASY LADDER with the DOLLY, roll the unit to the edge of the pool and slowly pull out & lower the bottom step to the pool floor. Then, lift the DECK ADAPTER and remove the DOLLY.

fig. 8

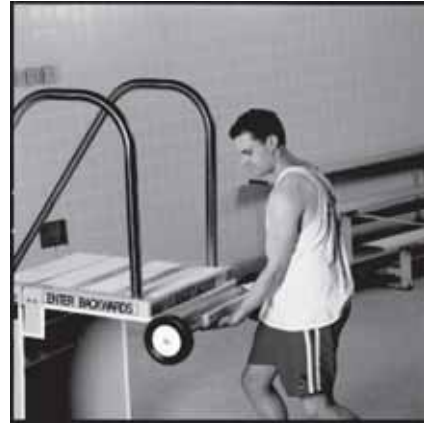


fig. 9



**CHECK LADDER IS FITTING
SECURELY IN POOL
BEFORE USE.**

**DO NOT ALLOW THE UNIT TO DRAG
ACROSS THE GUTTER, DECK OR
FLOOR.** Doing so will result in damage to the pool and/or your EASY LADDER.



CORRECT



NOT CORRECT

CARE & MAINTENANCE

Remove the product from the pool before performing any cleaning or maintenance.

CLEANING

Use only a NON-ABRASIVE cleanser when cleaning this product to avoid scratching and damage to the finish. Do not use any waxes or furniture polishes!

Periodically, you may wish to mechanically buff the finish to restore the shine and color. We recommend using these products.

Cleaning

- Formula 409 All Purpose Cleaner
- CLOROX SOFT-SCRUB

Buffing

- 3M™#05954 Super Duty Rubbing Compound

Recommended Equipment

- Dewalt #DW847 Heavy Duty Polisher/ Buffer
- 3M™#05705 Super-Buff Pad (requires 3M# 05710 adapter)

MAINTENANCE

Frequent inspection of the following is critical:

HANDRAILS

The handrails will become loosened with use, particularly within the first few months. Remove the product from the pool and re-tighten the hex bolts inside the ends of each handrail using a 1/2" box wrench.

NON-SKID TREADS

Check that the non-skid treads on each step of the ladder and the deck adapter are clean and intact at all times whenever in use. The gelcoated fiberglass surface underneath the non-skid treads are smooth and slippery. If the treads become worn or removed, exposing the slippery surface can result in serious injury. Replacement treads can be ordered from Triad by calling 1-800-729-7514.

SAFETY DECALS & PLACARDS

There are several safety warning decals and placards on your new Easy Ladder®. Periodically check to make sure they are intact and fully legible. Replacement decals can be ordered from Triad by calling 1-800-729-7514.

PROTECTIVE U-CHANNEL TRIM

This protective edge trim protects your flooring and pool surfaces from damage. It contains aluminum ribs that can become exposed if torn or ripped, potentially causing damage to your flooring or even injury when handling. Periodically check to make sure it is intact and not torn. Replacement U- Channel trim can be ordered from Triad by calling 1-800-729-7514.

ONE YEAR LIMITED WARRANTY

Every Triad product is inspected and fit tested before leaving the factory. It is warranted to be free of defects in workmanship and materials for a period of **ONE YEAR** from the date of original purchase.

Damage caused by abuse or neglect is not covered.

Return Policy: In the event of a return, a "return authorization number" must be obtained from Triad's customer service department prior to shipment. Since most products are custom made, there may be a re-stocking charge (not to exceed 15% of the purchase price).

Should any trouble develop, contact Triad Technologies, Incorporated at **1-800-729-7514** (1-315-422-7607) Monday-Friday 8:00am-5:00pm Eastern Standard Time or write to us at:

TRIAD TECHNOLOGIES, INC.
105 Spencer St.
Syracuse, New York 13204-1333



www.triadtec.com

TRIAD TECHNOLOGIES, INC.

105 Spencer Street, Syracuse, New York 13204-1333 U.S.A.

(800) 729-7514 or (315) 422-7607

fax (315) 422-7629