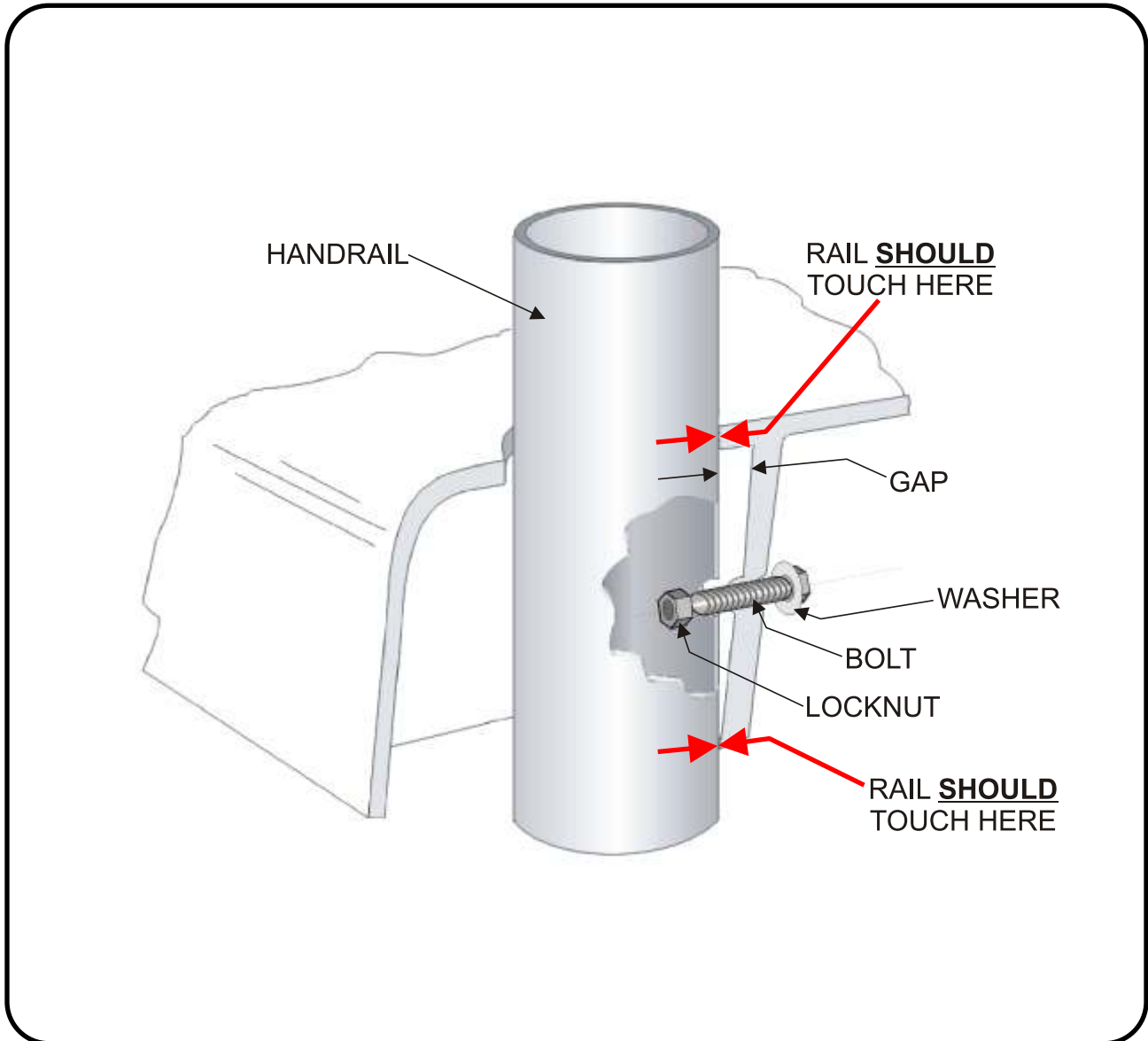


EASY LADDER[®] HANDRAIL & SOCKET ASSEMBLY



*NOTE: The handrail is "tentioned" by contact at the upper and lower most points as indicated by the red arrows. This is only possible if there is a gap in the center where the bolt is fastened.



TRIAD TECHNOLOGIES, INC.
800-729-7514

Fax: 315-422-7629 Email: info@triadtec.com