

EASY LADDER ®

DOLLY USAGE INSTRUCTIONS

USING THE DOLLY

The DOLLY should be used when installing or removing your EASY LADDER and also when transporting to and from storage.

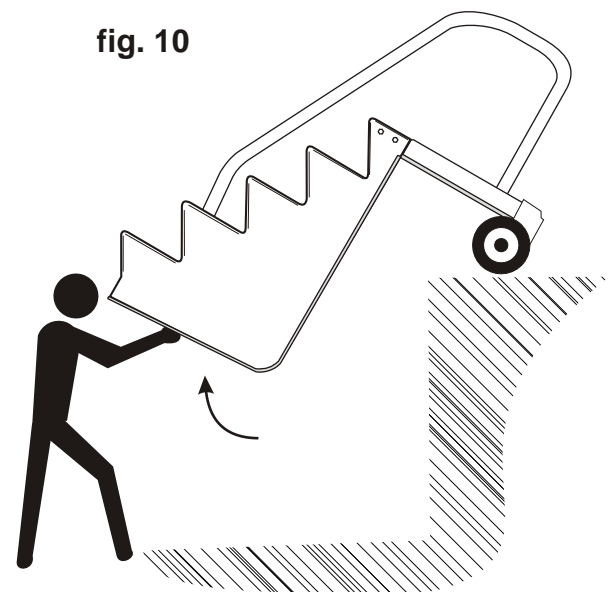
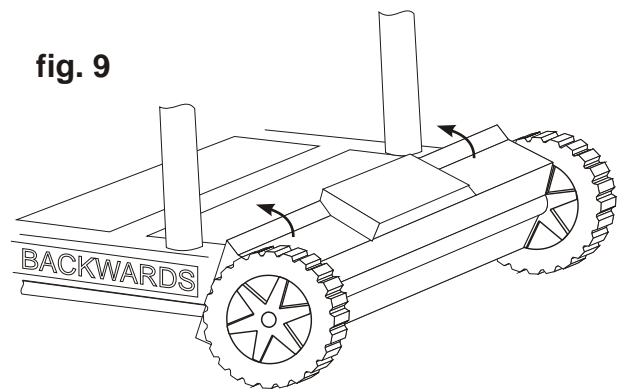
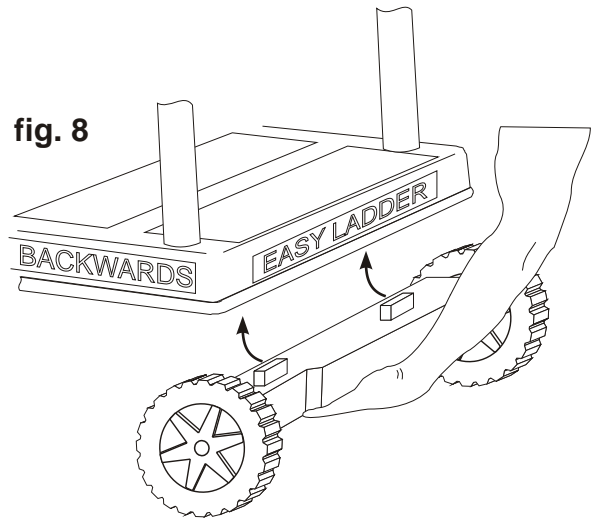
Place the dolly underneath the rear edge of the DECK ADAPTER and hook the aluminum blocks located inside the dolly underneath the bottom edge. See Figure 8.

Next, pivot the dolly upwards. It will wedge itself in and should feel firmly attached. See figure 9.

👉 CHECK LADDER IS FITTING
SECURELY IN POOL
BEFORE USE.

WHEN REMOVING FROM POOL:
Attach the dolly as indicated above.
Standing at the bottom front step in the pool, slowly lift up and roll the EASY LADDER onto the deck. See figure 10.

**DO NOT ALLOW THE UNIT TO DRAG
ACROSS THE GUTTER, DECK OR
FLOOR.** Doing so will result in damage
to the pool and/or your EASY LADDER.



TRIAD TECHNOLOGIES, INC
800-729-7514

Fax: 315-422-7629 Email: info@triadtec.com

www.triadtec.com